

**Stainless steel quick release couplings (coupling plug. coupling socket. push-in)**

**Version**

Coupling plug and socket made of stainless steel in nominal size 5 with different thread sizes or with our proven ELSA hose connection.

**Application**

ELSA push-in connectors made from PPSU are used mainly in the food industries for liquids with temperatures up to 140 °C. (hot water, coffee, steam...). These push-in connectors are equipped with FDA-compliant FKM sealing rings as standard. on request, these are also available with FDA-compliant EPDM sealing rings approved according to the UBA elastomer guidelines. These high-tech plastic fittings are a low-cost alternative to stainless steel fittings in many areas of application.

**CHARACTERISTICS**
**BODY MATERIAL / SUITABILITY**

Absperrend und leakagearm (L)

<b>Stainless steel AISI 316L</b>	corresponds to stainless steel 1.4404. Maximum corrosion resistance when pumping aggressive and critical media, especially at higher pressures and temperatures.
<b>Stainless steel AISI 303</b>	corresponds to stainless steel 1.4305. High corrosion resistance when conveying a wide variety of media, especially water.
<b>Plastic PPSU</b>	<b>Polyphenylsulfone.</b> Suitable for many aggressive media with temperatures up to 140°C. <b>Caution!</b> PPSU should not be used in contact with aromatic hydrocarbons, oxidizing acids, acetone, chlorinated hydrocarbons, ether and ketones! Also, PPSU should not be brought into direct contact with anaerobic adhesives!
<b>Approval</b>	FKM FDA compliant, others on request

**TUBE**

<b>Outside diameter [mm]</b>	6
<b>Permitted tolerance [mm]</b>	±0.1
<b>Permitted grades</b>	Polyamid (PA), Polyurethan (PU), Fluorethylenpropylen (FEP), Perfluoralkoxy-Copolymer (PFA)

**THREAD**

<b>External thread</b>	Thread "G" cylindrical: Whitworth pipe thread DIN ISO 228-1 G1/8 to G3/8
------------------------	--

**OPERATING PRESSURE / TEMPERATURE**

<b>Metal fitting</b>	PN 20 $T_{min} 0^{\circ}C$ $T_{max} +140^{\circ}C$ Means that the permissible operating pressure PB within the permissible ambient temperature also depends on the medium temperature according to the table.
<b>with ELSA push-in</b>	<b>Allowable operating pressure and operating temperature of pipe/tube must be observed!</b>

**THREAD SEAL**

<b>Cylindrical threaded nipple</b>	Thread sealed by a FKM O-Ring in recess applies to all cylindrical threaded nipples
------------------------------------	---

**SPECIAL VERSIONS (NOT INCLUDED IN THE CATALOG)**

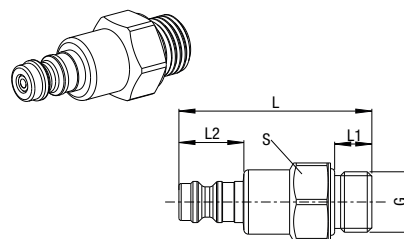
Customer-specific special versions, such as other O-ring materials (EPDM) on request

**Coupling plug NG5 - isolating**

Price group	<b>17 VA</b>	PN 35	T <sub>min</sub> 0 °C T <sub>max</sub> +140 °C	Cylindrical thread	Thread sealed by a FKM O-ring in recess	<b>Stainless steel AISI 303</b>
-------------	--------------	-------	---	--------------------	---	---------------------------------

Nominal size	G	L1	L2	L	S	Weight in [g]	Type	Order number	Price
5	G 1/8	7	14	40	14	22	515X5-S1/8FF	258028	o. r.
5	G 1/4	9	14	42	17	31	515X5-S1/4FF	258038	o. r.
5	G 3/8	9	14	42	19	37	515X5-S3/8FF	258048	o. r.

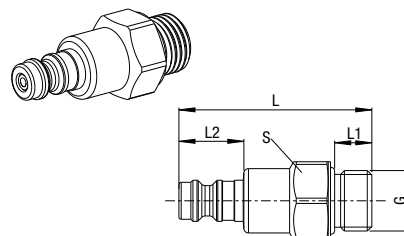
Only available in shut-off version! Applicable for low-leakage version/series!

**Illustration**

**Coupling plug NG5 - isolating**

Price group	<b>17 VA</b>	PN 35	T <sub>min</sub> 0 °C T <sub>max</sub> +140 °C	Cylindrical thread	Thread sealed by a FKM O-ring in recess	<b>Stainless steel AISI 316L</b>
-------------	--------------	-------	---	--------------------	---	----------------------------------

Nominal size	G	L1	L2	L	S	Weight in [g]	Type	Order number	Price
5	G 1/8	7	14	40	14	22	515X4-S1/8FF	258026	o. r.
5	G 1/4	9	14	42	17	31	515X4-S1/4FF	258036	o. r.
5	G 3/8	9	14	42	19	37	515X4-S3/8FF	258046	o. r.

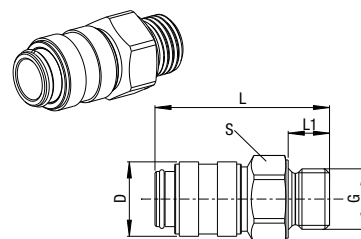
Only available in shut-off version! Applicable for low-leakage version/series!

**Illustration**

**Coupling plug NG5 - isolating**

Price group	<b>17 VA</b>	PN 35	T <sub>min</sub> 0 °C T <sub>max</sub> +140 °C	Cylindrical thread	Thread sealed by a FKM O-ring in recess	<b>Stainless steel AISI 303</b>
-------------	--------------	-------	---	--------------------	---	---------------------------------

Nominal size	G	L1	L	D	S	Weight in [g]	Type	Order number	Price
5	G 1/8	7	36	16.2	14	28	551X5-1/8FF	359024	o. r.
5	G 1/4	9	38	16.2	17	37	551X5-1/4FF	359044	o. r.
5	G 3/8	9	38	16.2	19	43	551X5-3/8FF	359054	o. r.

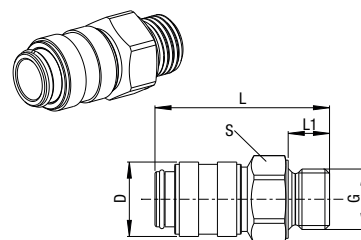
Only to be used in combination with locking plugs!

**Illustration**

**Coupling plug NG5 - isolating**

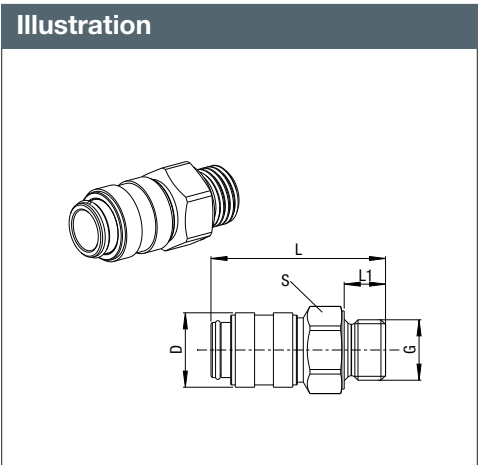
Price group	<b>17 VA</b>	PN 35	T <sub>min</sub> 0 °C T <sub>max</sub> +140 °C	Cylindrical thread	Thread sealed by a FKM O-ring in recess	<b>Stainless steel AISI 316L</b>
-------------	--------------	-------	---	--------------------	---	----------------------------------

Nominal size	G	L1	L	D	S	Weight in [g]	Type	Order number	Price
5	G 1/8	7	36	16.2	14	28	551X4-1/8FF	359025	o. r.
5	G 1/4	9	38	16.2	17	37	551X4-1/4FF	359045	o. r.
5	G 3/8	9	38	16.2	19	43	551X4-3/8FF	359055	o. r.

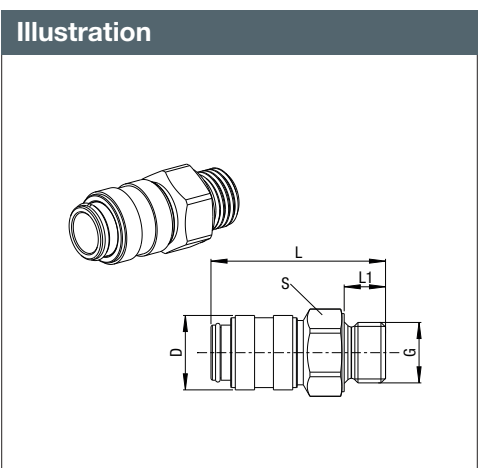
Only to be used in combination with locking plugs!

**Illustration**


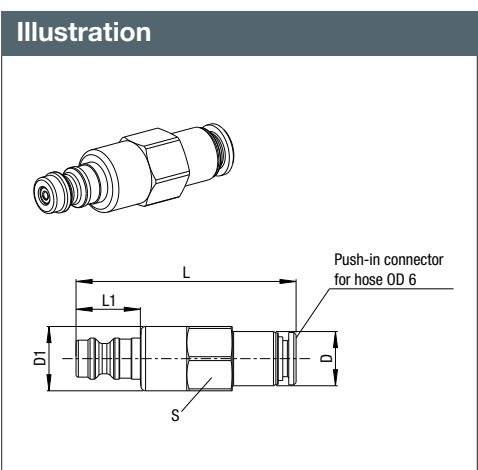
Coupling socket NG5 - low-leakage (L)									
Price group	<b>17 VA</b>	PN 10	T <sub>min</sub> 0 °C T <sub>max</sub> +140 °C	Cylindrical thread	Thread sealed by a FKM O-ring in recess		Stainless steel AISI 303		
Nominal size	G	L1	L	D	S	Weight in [g]	Type	Order number	Price
5	G 1/8	7	36	16.2	14	27	551X5-L1/8FF	359028	o. r.
5	G 1/4	9	38	16.2	17	36	551X5-L1/4FF	359048	o. r.
5	G 3/8	9	38	16.2	19	43	551X5-L3/8FF	359058	o. r.
Only to be used in combination with locking plugs!									



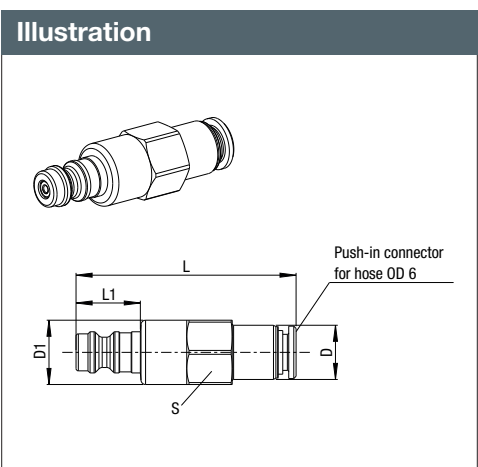
Coupling socket NG5 - low-leakage (L)									
Price group	<b>17 VA</b>	PN 10	T <sub>min</sub> 0 °C T <sub>max</sub> +140 °C	Cylindrical thread	Thread sealed by a FKM O-ring in recess		Stainless steel AISI 316L		
Nominal size	G	L1	L	D	S	Weight in [g]	Type	Order number	Price
5	G 1/8	7	37	16.2	14	27	551X4-L1/8FF	359027	o. r.
5	G 1/4	9	38	16.2	17	36	551X4-L1/4FF	359047	o. r.
5	G 3/8	9	38	16.2	19	43	551X4-L3/8FF	359057	o. r.
Only to be used in combination with locking plugs!									



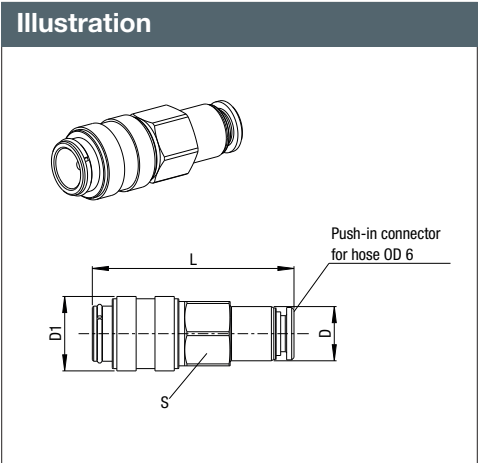
Coupling plug NG5 with ELSA plug connection* - isolating									
Price group	<b>17 VA</b>	PN 20	T <sub>min</sub> 0 °C T <sub>max</sub> +140 °C	Sealing ring: FKM FDA compliant	for hose/tube OD 6		Stainless steel AISI 303		
Nominal size	D1	L1	L	D	S	Weight in [g]	Type	Order number	Price
5	14	14	48	11.8	14	27	575X5-S6FF	358713	o. r.
Only available in shut-off version! Applicable for low-leakage version/series! *ELSA connector: with PPSU partial connector									



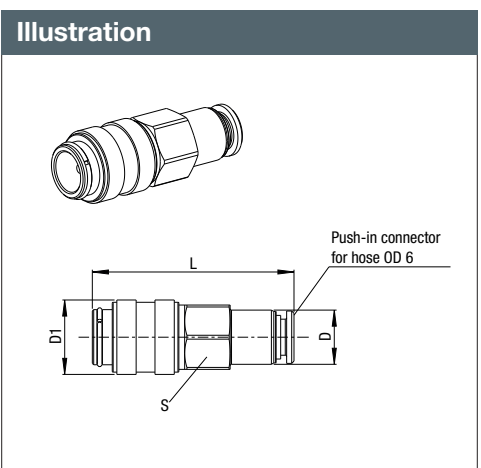
Coupling plug NG5 with ELSA plug connection* - isolating									
Price group	<b>17 VA</b>	PN 20	T <sub>min</sub> 0 °C T <sub>max</sub> +140 °C	Sealing ring: FKM FDA compliant	for hose/tube OD 6		Stainless steel AISI 316L		
Nominal size	D1	L1	L	D	S	Weight in [g]	Type	Order number	Price
5	14	14	48	11.8	14	27	575X44-S6FF	358711	o. r.
Only available in shut-off version! Applicable for low-leakage version/series! *ELSA plug connection: with stainless steel partial plug insert 1.4404									



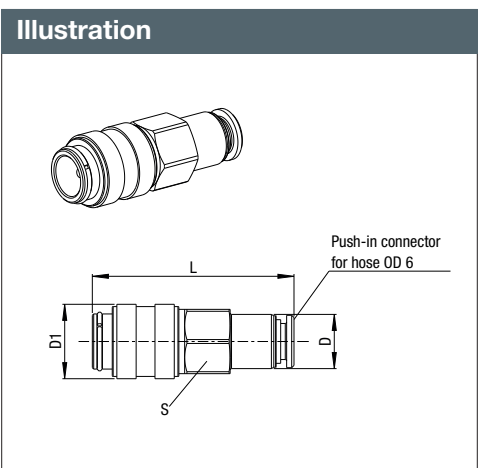
Coupling socket NG5 with ELSA plug connection* - isolating									
Price group	<b>17 VA</b>	PN 20	T <sub>min</sub> 0 °C T <sub>max</sub> +140 °C	Sealing ring: FKM FDA compliant	for hose/tube OD 6		Stainless steel AISI 303		
Nominal size		D1	L	D	S	Weight in [g]	Type	Order number	Price
5		16.2	44	11.8	14	32	557X5-6FF	359473	o. r.
*ELSA connector: with PPSU partial connector									



Coupling socket NG5 with ELSA plug connection* - isolating									
Price group	<b>17 VA</b>	PN 20	T <sub>min</sub> 0 °C T <sub>max</sub> +140 °C	Sealing ring: FKM FDA compliant	for hose/tube OD 6		Stainless steel AISI 316L		
Nominal size		D1	L	D	S	Weight in [g]	Type	Order number	Price
5		16.2	44	11.8	14	32	557X44-6FF	359471	o. r.
*ELSA plug connection: with stainless steel partial plug insert 1.4404									



Coupling socket NG5 with ELSA plug connection* - low-leakage (L)									
Price group	<b>17 VA</b>	PN 10	T <sub>min</sub> 0 °C T <sub>max</sub> +140 °C	Sealing ring: FKM FDA compliant	for hose/tube OD 6		Stainless steel AISI 303		
Nominal size		D1	L	D	S	Weight in [g]	Type	Order number	Price
5		16.2	44	11.8	14	32	557X5-L6FF	359477	o. r.
*ELSA connector: with PPSU partial connector									



Coupling socket NG5 with ELSA plug connection* - low-leakage (L)									
Price group	<b>17 VA</b>	PN 10	T <sub>min</sub> 0 °C T <sub>max</sub> +140 °C	Sealing ring: FKM FDA compliant	for hose/tube OD 6		Stainless steel AISI 316L		
Nominal size		D1	L	D	S	Weight in [g]	Type	Order number	Price
5		16.2	44	11.8	14	32	557X44-L6FF	359475	o. r.
*ELSA plug connection: with stainless steel partial plug insert 1.4404									

