

RAPID Fittings Nickel-Plated Brass (Push-on)

Rapid brass

Operating pressure: Technical vacuum up to maximum pressure as stated in the respective specification table under PN.

Temperature range: -40 °C to +120 °C

(for restrictions see specification table)

Application

RAPID fittings are used with aggressive gaseous and liquid media, where elastomer seals are not resistant. With guide cone and Cap nut these fittings are particularly suited to very harsh operating conditions.

CHARACTERISTICS
BODY MATERIAL / SUITABILITY

Nickel-plated brass	CuZn39Pb3, galvanically nickel-plated. Suitable for many neutral gaseous and liquid media, especially compressed air, water, hydraulic oil etc. Special version chemically nickel-plated with FKM seal ring, FDA compliant.
----------------------------	---

Other materials	see relevant products
------------------------	-----------------------

TUBE

Outside diameter [mm]	4.3/3 5/3 6/4 8/6 10/8	11.5/9 12/9 12/10 15/12.5 17.6/13
------------------------------	--------------------------------	---

Permitted tolerance outside D	±0.1	±0.15
--------------------------------------	------	-------

Permitted tolerance inside d	±0.1	±0.15
-------------------------------------	------	-------

Permitted wall thickness tolerance	±0.1	±0.15
---	------	-------

With very soft tubes, for example PVC tubes, variations in the outside diameter or wall thickness of up to + 5/10 are allowable. In case of doubt please ask.

Permitted grades	Polyamide (PA), polyurethane (PU), polyethylene (PE), fabric reinforced PVC, fluoropolymer (FEP) (PFA)
-------------------------	--

THREAD

External thread	“M” cylindrical thread: Metric ISO thread M5, M6 and M7.
------------------------	--

External thread	“G” cylindrical thread: Whitworth pipe thread DIN ISO 228-1 G 1/8 to G 1/2.
------------------------	---

External thread	“R” cylindrical thread: Whitworth pipe thread DIN 2999-1 and ISO 7/1 R 1/8 to R 1/2. Dimensions constructed so there can be pairing with internal thread according to DIN ISO 228-1.
------------------------	--

Internal thread	“G” cylindrical thread: Whitworth pipe thread DIN ISO 228-1 G 1/8 to G 1/2.
------------------------	---

OPERATING PRESSURE / TEMPERATURE

Metal version	<table border="1"> <tr> <td>PN</td> <td>T_{min} -40 °C</td> <td rowspan="2">Means that the fitting can be used up to the given nominal pressure PN within the specified temperature range “T”. Allowable operating pressure and operating temperature of pipe/tube must be observed!</td> </tr> <tr> <td>25</td> <td>T_{max} +120 °C</td> </tr> </table>	PN	T _{min} -40 °C	Means that the fitting can be used up to the given nominal pressure PN within the specified temperature range “T”. Allowable operating pressure and operating temperature of pipe/tube must be observed!	25	T _{max} +120 °C
PN	T _{min} -40 °C	Means that the fitting can be used up to the given nominal pressure PN within the specified temperature range “T”. Allowable operating pressure and operating temperature of pipe/tube must be observed!				
25	T _{max} +120 °C					

THREAD SEAL

Cylindrical threaded nipple	Seal with sealing rings made of copper, fibre, aluminium, polyamide or hard PVC.
------------------------------------	--

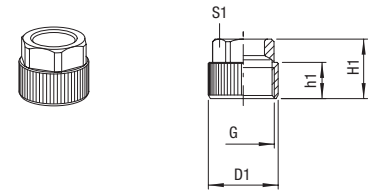
Conical threaded nipple	<table border="1"> <tr> <td>External thread self-sealing with pre-coating “D”</td> <td>Film with non-reactive mineral solid materials, non-adhesive. Resistant to air, water, motor oils etc. in temperature range of -40 °C to +120 °C.</td> </tr> </table>	External thread self-sealing with pre-coating “D”	Film with non-reactive mineral solid materials, non-adhesive. Resistant to air, water, motor oils etc. in temperature range of -40 °C to +120 °C.
External thread self-sealing with pre-coating “D”	Film with non-reactive mineral solid materials, non-adhesive. Resistant to air, water, motor oils etc. in temperature range of -40 °C to +120 °C.		

Straight, 90° elbow and T-adaptors, male	<table border="1"> <tr> <td>not suitable for rotating or oscill. movements</td> <td>Some types of fittings are 360°-swivelling to facilitate adjustment during assembly.</td> </tr> </table>	not suitable for rotating or oscill. movements	Some types of fittings are 360°-swivelling to facilitate adjustment during assembly.
not suitable for rotating or oscill. movements	Some types of fittings are 360°-swivelling to facilitate adjustment during assembly.		

Cap Nut

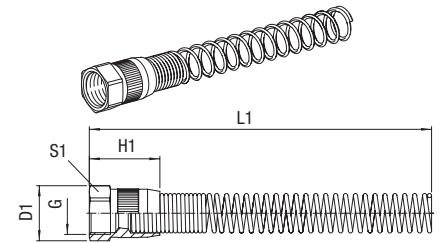
 Price group **11** PN 25 $T_{min} -40\text{ °C}$
 $T_{max} +120\text{ °C}$
Nickel-plated brass

for tube D/d	G	Exchangeable possible with	H1	h1	D1	S1	Weight in [g]	Type	Order number	Price
4.3/3	M7x0.75	250003	8.5	5	8	7	1.3	170M-43/0-M7x0.75	250002	o. r.
5/3	M7x0.75	250002	8.5	5	8	7	1.2	170M-5/0-M7x0.75	250003	o. r.
6/4	M8x0.75	-	10	6.5	9	8	1.7	170M-6/0-M8x0.75	250004	o. r.
6/4	M10x1	250017	11.5	7	11.5	10	3.8	170M-6/0-M10x1	250005	o. r.
8/6	M12x1	250018	11.5	7	13.5	12	4.5	170M-8/0-M12x1	250008	o. r.
10/8	M14x1	-	13.5	9	15.5	13	5.8	170M-10/0-M14x1	250010	o. r.
11.5/9	M16x1	250012	14.5	9	17.5	15	7.7	170M-115/0-M16x1	250011	o. r.
12/9	M16x1	250011	14.5	9	17.5	15	7.4	170M-12/0-M16x1	250012	o. r.
12/10	M16x1	250019	14.5	9	17.5	15	7.4	170M-12/0-M16x1	250012	o. r.
15/12.5	M20x1	250014	16.5	10.5	22	19	13.2	170M-15/12.5-M20x1	250013	o. r.
17.6/13	M20x1	250013	16.5	10.5	22	19	11.8	170M-176/0-M20x1	250014	o. r.
1/4/1/8	M10x1	250005	11.5	7	11.5	10	3.4	170M-64/0-M10x1	250017	o. r.
3/8/1/4	M12x1	250008	11.5	7	13.5	12	3.9	170M-96/0-M12x1	250018	o. r.
1/2/3/8	M16x1	250012	14.5	9	17.5	15	6.5	170M-13/0-M16x1	250019	o. r.

Illustration

Cap Nut with Anti-kink Protection

 Price group **11** PN 25 $T_{min} -40\text{ °C}$
 $T_{max} +120\text{ °C}$
Nickel-plated brass

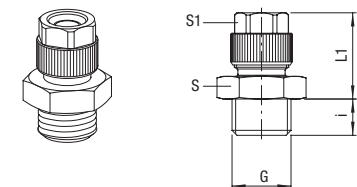
for tube D/d	G	Exchange possible with	L1*	H1	D1	S1	Weight in [g]	Type	Order number	Price
6/4	M10x1	250005	96	19	13.1	12	15.4	172M-6/0-M10x1	331005	o. r.
8/6	M12x1	250008	97	20	15.6	14	19.4	172M-8/0-M12x1	331008	o. r.
10/8	M14x1	250010	97	20	17.5	16	24.3	172M-10/0-M14x1	331010	o. r.
12/9	M16x1	250012	97	20	21.2	19	30.7	172M-12/0-M16x1	331012	o. r.
12/10	M16x1	250012	97	20	21.2	19	30.7	172M-12/0-M16x1	331012	o. r.

Illustration

Straight Adaptor - Male

 Price group **11** PN 25 $T_{min} -40\text{ °C}$
 $T_{max} +120\text{ °C}$ Cylindrical thread

Nickel-plated brass

for tube D/d	G	i	L1*	S1	S	Weight in [g]	Type	Order number	Price
4.3/3	M 5	6	15.5	7	13	9.6	151M-43/3-M5	300004	o. r.
4.3/3	G 1/8	4	14.5	7	8	4.3	151M-43/3-1/8	300006	o. r.
5/3	M 5	5	14.5	7	8	4.7	151M-5/3-M5	300007	o. r.
5/3	M 6	6	15.5	7	13	9.6	151M-5/3-M6	300499	o. r.
5/3	G 1/8	4	15.5	8	8	5.1	151M-5/3-1/8	300009	o. r.
6/4	M 5	5	15.5	8	8	5.2	151M-6/4-M5	300010	o. r.
6/4	M 6	6	18.5	10	13	13.6	151M-6/4-M6	300500	o. r.
6/4	G 1/8	8	19	10	17	20.8	151M-6/4-1/8	300014	o. r.
6/4	G 1/4	9	19	10	19	25.7	151M-6/4-1/4	300015	o. r.
6/4	G 3/8	10	19.5	10	24	34.6	151M-6/4-3/8	300016	o. r.
6/4	G 1/2	6	18.5	12	13	15.7	151M-6/4-1/2	300017	o. r.
8/6	G 1/8	8	19	12	17	22.1	151M-8/6-1/8	300020	o. r.
8/6	G 1/4	9	19	12	19	26.9	151M-8/6-1/4	300021	o. r.
8/6	G 3/8	10	19.5	12	24	37.1	151M-8/6-3/8	300022	o. r.
8/6	G 1/2	6	20	13	14	19.7	151M-8/6-1/2	300023	o. r.
10/8	G 1/8	8	20.5	13	17	26.5	151M-10/8-1/8	300029	o. r.
10/8	G 1/4	9	20.5	13	19	31.8	151M-10/8-1/4	300030	o. r.
10/8	G 3/8	10	21	13	24	39.9	151M-10/8-3/8	300031	o. r.
10/8	G 1/2	8	22	15	17	30.3	151M-10/8-1/2	300032	o. r.
11.5/9	G 1/4	9	22	15	19	36.4	151M-115/9-1/4	300033	o. r.
11.5/9	G 3/8	8	22	15	17	29.9	151M-115/9-3/8	300034	o. r.
12/9	G 1/4	9	22	15	19	33.3	151M-12/9-1/4	300036	o. r.
12/9	G 3/8	9	22	15	19	33.6	151M-12/9-3/8	300037	o. r.
12/10	G 3/8	10	22.5	15	24**	44	151M-12/10-3/8	300043	o. r.
12/10	G 1/2	10	25	19	24**	53.4	151M-12/10-1/2	300044	o. r.
15/12.5	G 1/2	10	25	22	24**	51.2	151M-15/125-1/2	300048	o. r.
17.6/13	G 1/2	10	25	22	24**	51.2	151M-176/13-1/2	300050	o. r.

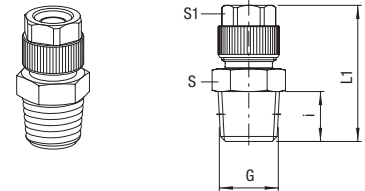
Illustration


* approximate with fastened cap nut ** S24 = octagon

Straight Adaptor - Male

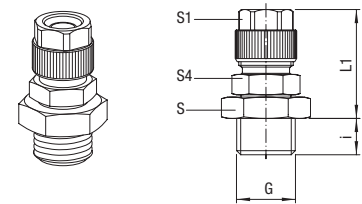
Price group	11	PN 25	T _{min} -40 °C T _{max} +120 °C	Conical thread	Thread "D" self-sealing T _{max} +100 °C	Nickel-plated brass
-------------	-----------	-------	---	----------------	---	----------------------------

for tube D/d	G	i	L1*	S1	S	self-sealing opt. "D"	Weight in [g]	Type	Order number	Price
4.3/3	R 1/8	7.5	23	7	10	-	7.5	151M-43/3-1/8K	300506	o. r.
5/3	R 1/8	7.5	23	7	10	-	7.5	151M-5/3-1/8K	300509	o. r.
6/4	R 1/8	7.5	26	10	12	-	12.5	151M-6/4-1/8K	300514	o. r.
6/4	R 1/8	7.5	26	10	12	D	12.5	151M-6/4-D1/8K	306514	o. r.
6/4	R 1/4	11	30	10	14	-	17.3	151M-6/4-1/4K	300515	o. r.
6/4	R 1/4	11	30	10	14	D	17.3	151M-6/4-D1/4K	306515	o. r.
6/4	R 3/8	11.5	30.5	10	17	-	26.2	151M-6/4-3/8K	300516	o. r.
8/6	R 1/8	7.5	26	12	12	-	17.2	151M-8/6-1/8K	300520	o. r.
8/6	R 1/8	7.5	26	12	12	D	17.2	151M-8/6-D1/8K	306520	o. r.
8/6	R 1/4	11	30	12	14	-	18.1	151M-8/6-1/4K	300521	o. r.
8/6	R 1/4	11	30	12	14	D	18.1	151M-8/6-D1/4K	306521	o. r.
8/6	R 3/8	11.5	30.5	12	17	-	28.4	151M-8/6-3/8K	300522	o. r.
8/6	R 3/8	11.5	30.5	12	17	D	28.4	151M-8/6-D3/8K	306522	o. r.
10/8	R 1/8	7.5	27.5	13	14	-	20.8	151M-10/8-1/8K	300529	o. r.
10/8	R 1/4	11	31.5	13	14	-	22.6	151M-10/8-1/4K	300530	o. r.
10/8	R 1/4	11	31.5	13	14	D	22.6	151M-10/8-D1/4K	306530	o. r.
10/8	R 3/8	11.5	32	13	17	-	27.9	151M-10/8-3/8K	300531	o. r.
10/8	R 1/2	14	35	13	22	-	41	151M-10/8-1/2K	300532	o. r.
12/10	R 3/8	11.5	33.5	15	17	-	30.5	151M-12/10-3/8K	300543	o. r.
12/10	R 1/2	14	36.5	15	22	-	46.1	151M-12/10-1/2K	300544	o. r.
15/12.5	R 1/2	14	39	19	22	-	58	151M-15/12.5-1/2K	300548	o. r.
17.6/13	R 1/2	14	39	22	22	-	59.2	151M-17.6/13-1/2K	300550	o. r.

Illustration

Straight Adaptor - Male - Positionable

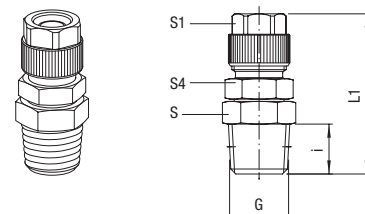
Price group	11	PN 16	T _{min} -20 °C T _{max} +80 °C	Cylindrical thread	Sealing ring: NBR	not suitable for rotating or oscill. movement	Nickel-plated brass
-------------	-----------	-------	--	--------------------	-------------------	---	----------------------------

for tube D/d	G	i	L1*	S1	S4	S	Weight in [g]	Type	Order number	Price
6/4	G 1/8	6	24.5	10	13	13	20.3	131M-6/4-1/8	300414	o. r.
6/4	G 1/4	8	23.5	10	13	17	25.4	131M-6/4-1/4	300415	o. r.
8/6	G 1/8	6	24.5	12	13	13	20.5	131M-8/6-1/8	300420	o. r.
8/6	G 1/4	8	23.5	12	13	17	28.3	131M-8/6-1/4	300421	o. r.
10/8	G 1/4	8	25	13	14	17	32.3	131M-10/8-1/4	300430	o. r.
12/9	G 3/8	9	28.5	15	17	19	45.5	131M-12/9-3/8	300437	o. r.
12/10	G 3/8	9	28.5	15	17	19	46.2	131M-12/10-3/8	300443	o. r.

Illustration

Straight Adaptor - Male - Positionable

Price group	11	PN 16	T _{min} -20 °C T _{max} +80 °C	Conical thread	Sealing ring: NBR	Thread "D" self-sealing	not suitable for rotating or oscill. movement	Nickel-plated brass
-------------	-----------	-------	--	----------------	-------------------	-------------------------	---	----------------------------

for tube D/d	G	i	L1*	S1	S4	S	self-sealing opt. "D"	Weight in [g]	Type	Order number	Price
6/4	R 1/8	7.5	31.5	10	13	13	-	20	131M-6/4-1/8K	300714	o. r.
6/4	R 1/8	7.5	31.5	10	13	13	D	20	131M-6/4-D1/8K	306714	o. r.
6/4	R 1/4	11	34.5	10	13	14	-	25	131M-6/4-1/4K	300715	o. r.
6/4	R 1/4	11	34.5	10	13	14	D	26	131M-6/4-D1/4K	306715	o. r.
8/6	R 1/8	7.5	31.5	12	13	13	-	21.5	131M-8/6-1/8K	300720	o. r.
8/6	R 1/8	7.5	31.5	12	13	13	D	21.5	131M-8/6-D1/8K	306720	o. r.
8/6	R 1/4	11	34.5	12	13	14	-	27	131M-8/6-1/4K	300721	o. r.
8/6	R 1/4	11	34.5	12	13	14	D	27	131M-8/6-D1/4K	306721	o. r.
10/8	R 1/4	11	36	13	14	14	-	30.8	131M-10/8-1/4K	300730	o. r.
10/8	R 1/4	11	36	13	14	14	D	30.8	131M-10/8-D1/4K	306730	o. r.

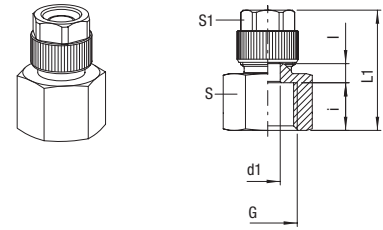
Illustration


* approximate with fastened cap nut ** S24 = octagon

Straight Adaptor - Female

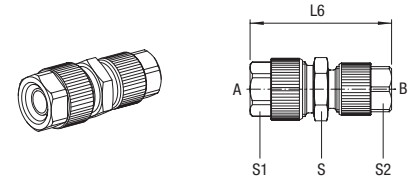
Price group	11	PN	25	T _{min}	-40 °C	T _{max}	+120 °C	Cylindrical thread	Nickel-plated brass
-------------	-----------	----	----	------------------	--------	------------------	---------	--------------------	---------------------

for tube D/d	G	i	L1*	l	d1	S1	S	Weight in [g]	Type	Order number	Price
4.3/3	G 1/8	7	21	5.5	2.2	7	13	9.9	146M-43/3-1/8	300806	o. r.
5/3	G 1/8	7	21	5.5	2.2	7	13	9.9	146M-5/3-1/8	300809	o. r.
6/4	G 1/8	7	24	5.6	5.5	10	13	13.6	146M-6/4-1/8	300814	o. r.
6/4	G 1/4	9	26.5	6.1	5.5	10	17	21.4	146M-6/4-1/4	300815	o. r.
8/6	G 1/4	7	24	5.6	5.5	12	13	15.8	146M-8/6-1/8	300820	o. r.
8/6	G 1/4	9	26.5	6.1	5.5	12	17	26.4	146M-8/6-1/4	300821	o. r.
8/6	G 3/8	10	27.5	6.1	6.5	12	19	23.4	146M-8/6-3/8	300822	o. r.
8/6	G 1/2	13.5	31.5	6.6	6.5	12	24	38.2	146M-8/6-1/2	300823	o. r.
10/8	G 1/4	9	28	5.5	6.8	13	17	26.6	146M-10/8-1/4	300830	o. r.
10/8	G 3/8	10	29	5.5	6.8	13	19	27.4	146M-10/8-3/8	300831	o. r.
10/8	G 1/2	13.5	33	6	6.8	13	24**	42	146M-10/8-1/2	300832	o. r.
11.5/9	G 3/8	10	30.5	6	7.6	15	19	32.2	146M-115/9-3/8	300834	o. r.
12/9	G 3/8	10	30.5	6	7.6	15	19	31.9	146M-12/9-3/8	300837	o. r.

Illustration

Straight Fitting

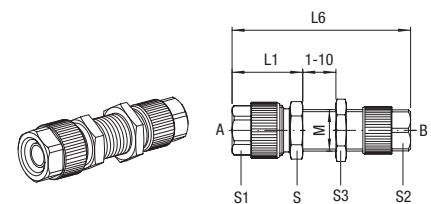
Price group	11	PN	25	T _{min}	-40 °C	T _{max}	+120 °C	Nickel-plated brass
-------------	-----------	----	----	------------------	--------	------------------	---------	---------------------

for tube A D/d	for tube B D/d	L6*	S1	S2	S	Weight in [g]	Type	Order number	Price
4.3/3	4.3/3	25	7	7	8	6.4	158M-43/3	302203	o. r.
5/3	4.3/3	25	7	7	8	6.4	158M-5/3-43/3	302205	o. r.
5/3	5/3	25	7	7	8	6.2	158M-5/3	302206	o. r.
6/4	4.3/3	28	10	7	12	12.3	158M-6/4-43/3	302208	o. r.
6/4	5/3	28	10	7	12	12.2	158M-6/4-5/3	302209	o. r.
6/4	6/4	31	10	10	12	16.9	158M-6/4	302210	o. r.
8/6	6/4	31	12	10	12	18	158M-8/6-6/4	302211	o. r.
8/6	8/6	31	12	12	12	20.9	158M-8/6	302212	o. r.
10/8	6/4	33	13	10	14	21.7	158M-10/8-6/4	302213	o. r.
10/8	8/6	33	13	12	14	24.7	158M-10/8-8/6	302214	o. r.
10/8	10/8	34.5	13	13	14	28.9	158M-10/8	302215	o. r.
12/10	12/10	38	15	15	17	39.8	158M-12/10	302219	o. r.
15/12.5	15/12.5	43.5	19	19	22	68.9	158M-15/125	302223	o. r.
17.6/13	17.6/13	43.5	22	22	22	65.4	158M-176/13	302225	o. r.

Illustration

Straight Bulkhead Fitting

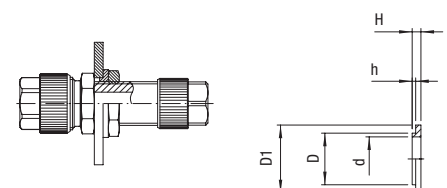
Price group	11	PN	25	T _{min}	-40 °C	T _{max}	+120 °C	Nickel-plated brass
-------------	-----------	----	----	------------------	--------	------------------	---------	---------------------

for tube A D/d	for tube B D/d	M	L1*	L6*	S1	S2	S3	S	Weight in [g]	Type	Order number	Price
4.3/3	4.3/3	M7x0.75	14	35	7	7	10	8	9.7	159M-43/3	303003	o. r.
5/3	4.3/3	M7x0.75	14	35	7	7	10	8	9.7	159M-5/3-43/3	303005	o. r.
5/3	5/3	M7x0.75	14	35	7	7	10	8	9.5	159M-5/3	303006	o. r.
6/4	4.3/3	M7x0.75	17	38	10	7	10	12	15.2	159M-6/4-43/3	303008	o. r.
6/4	5/3	M7x0.75	17	38	10	7	10	12	15.1	159M-6/4-5/3	303009	o. r.
6/4	6/4	M10x1	17	43	10	10	13	12	24.2	159M-6/4	303010	o. r.
8/6	6/4	M10x1	17	43	12	10	13	12	24.3	159M-8/6-6/4	303011	o. r.
8/6	8/6	M12x1	17.5	43.5	12	12	17	14	34.2	159M-8/6	303012	o. r.
10/8	6/4	M10x1	19	45	13	10	13	14	30.3	159M-10/8-6/4	303013	o. r.
10/8	8/6	M12x1	19	45	13	12	17	14	37.7	159M-10/8-8/6	303014	o. r.
10/8	10/8	M14x1	19.5	47.5	13	13	17	17	44.9	159M-10/8	303015	o. r.
11.5/9	11.5/9	M16x1	21	50	15	15	19	19	63	159M-115/9	303016	o. r.
12/9	12/9	M16x1	21	50	15	15	19	19	60.8	159M-12/9	303017	o. r.
12/10	12/10	M16x1	21	50	15	15	19	19	58	159M-12/10	303019	o. r.
15/12.5	15/12.5	M20x1	24	55	19	19	24**	22	96	159M-15/125	303023	o. r.
17.6/13	17.6/13	M20x1	24	55	22	22	24**	22	106	159M-176/13	303025	o. r.

Illustration

Bulkhead Fitting Accessories

Price group	11	Nickel-plated brass
-------------	-----------	---------------------

D1	D	d	H	h	Weight in [g]	Type	Order number	Price
15.5	9.8	7.1	2	0.8	1.8	258M-10-7	251991	o. r.
15.5	11.8	10.1	2	0.8	1.3	258M-12-10	251992	o. r.
17.5	13.8	10.1	2	0.8	2.1	258M-14-10	251993	o. r.
17.5	13.8	12.1	2	0.8	1.6	258M-14-12	251994	o. r.

Illustration


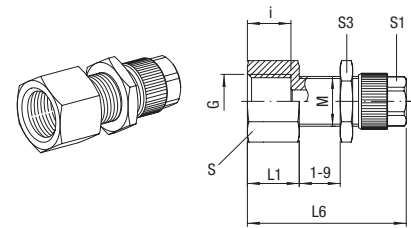
* approximate with fastened cap nut ** S24 = octagon

* approximate with fastened cap nut

Bulkhead Adaptor also Suitable for Pressure Gauge

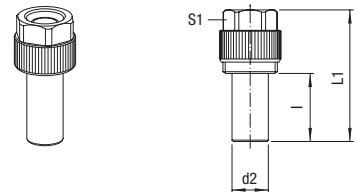
Price group	11	PN	25	T _{min}	-40 °C	T _{max}	+120 °C	Cylindrical thread M,G	Nickel-plated brass
-------------	-----------	----	----	------------------	--------	------------------	---------	------------------------	---------------------

for tube D/d	G	M	i	L1	L6*	S1	S3	S	Weight in [g]	Type	Order number	Price
4.3/3	M 5	M7x0.75	4.5	7	28	7	10	8	7.4	145M-43/3-M5	303104	o. r.
5/3	M 5	M7x0.75	4.5	7	28	7	10	8	7.4	145M-5/3-M5	303107	o. r.
6/4	G 1/8	M10x1	7	10	36	10	13	13	20.1	145M-6/4-1/8	303114	o. r.
8/6	G 1/4	M12x1	9	12.5	38.5	12	17	17	34.9	145M-8/6-1/4	303121	o. r.
10/8	G 1/4	M14x1	9	12.5	40.5	13	17	17	40.5	145M-10/8-1/4	303130	o. r.
11.5/9	G 3/8	M16x1	10	13.5	42.5	15	19	19	48.6	145M-115/9-3/8	303134	o. r.
12/9	G 3/8	M16x1	10	13.5	42.5	15	19	19	48.5	145M-12/9-3/8	303137	o. r.

Illustration

Straight Solder-in Fitting

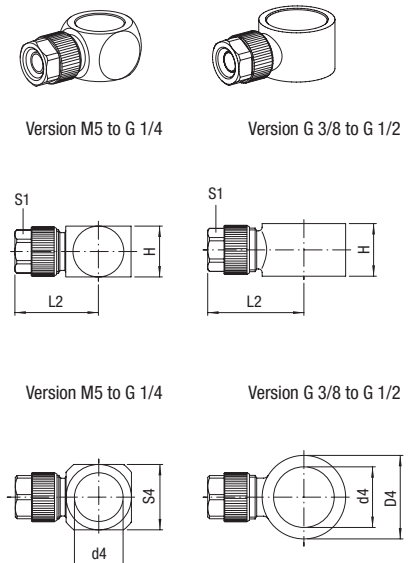
Price group	11	PN	25	T _{min}	-40 °C	T _{max}	+120 °C	Bright brass
-------------	-----------	----	----	------------------	--------	------------------	---------	--------------

for tube D/d	d2	L1*	l	S1	Weight in [g]	Type	Order number	Price
4.3/3	6	26	15	7	4.6	147Y-43/3-6	303353	o. r.
5/3	6	26	15	7	4.6	147Y-5/3-6	303356	o. r.
6/4	6	29	15	10	9.7	147Y-6/4-6	303360	o. r.
8/6	8	29	15	12	14	147Y-8/6-8	303362	o. r.
10/8	10	35.5	20	13	19.3	147Y-10/8-10	303365	o. r.
12/10	12	37	20	15	25.8	147Y-12/10-12	303369	o. r.
15/12.5	15	39.5	20	19	46.9	147Y-15/125-15	303373	o. r.
17.6/13	15	39.5	20	22	44.5	147Y-176/13-15	303375	o. r.

Illustration

Banjo Ring Piece

Price group	11	PN	25	T _{min}	-20 °C	T _{max}	+120 °C	Nickel-plated brass
-------------	-----------	----	----	------------------	--------	------------------	---------	---------------------

for tube D/d	for hollow screw	L2*	H	d4	S1	S4 and D4	Weight in [g]	Type	Order number	Price
4.3/3	M 5	15.5	9	5.1	7	9	6.8	161M-43/3S-M5	303404	o. r.
4.3/3	G 1/8	18	14	10.1	7	14	15.3	161M-43/3S-1/8	303406	o. r.
5/3	M 5	15.5	8.6	5.1	7	9	6.7	161M-5/3S-M5	303407	o. r.
5/3	G 1/8	18	14	10.1	7	14	15.1	161M-5/3S-1/8	303409	o. r.
6/4	M 5	16.5	8.6	5.1	8	9	7.5	161M-6/4S-M5	303410	o. r.
6/4	G 1/8	21	14	10.1	10	14	20	161M-6/4S-1/8	303414	o. r.
6/4	G 1/4	23	14	13.4	10	18	25.5	161M-6/4S-1/4	303415	o. r.

Illustration


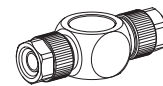
* approximate with fastened cap nut ** S24 = octagon

Banjo T-Ring Piece

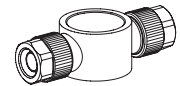
Price group	11	PN 25	T _{min} -20 °C T _{max} +120 °C
-------------	-----------	-------	---

Nickel-plated brass

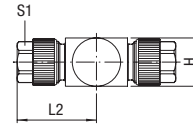
for tube D/d	for hollow screw	L2*	H	d4	S1	S4 and D4	Weight in [g]	Type	Order number	Price
4.3/3	M 5	15.5	8.6	5.1	7	9	9.2	162M-43/3S-M5	303704	o. r.
4.3/3	G 1/8	18	14	10.1	7	14	17.6	162M-43/3S-1/8	303706	o. r.
5/3	M 5	15.5	8.6	5.1	7	9	9	162M-5/3S-M5	303707	o. r.
5/3	G 1/8	18	14	10.1	7	14	17.1	162M-5/3S-1/8	303709	o. r.
6/4	M 5	16.5	9.6	5.1	8	9	10.5	162M-6/4S-M5	303710	o. r.
6/4	G 1/8	21	14	10.1	10	14	26.6	162M-6/4S-1/8	303714	o. r.
6/4	G 1/4	23	14	13.4	10	18	32.1	162M-6/4S-1/4	303715	o. r.

Illustration


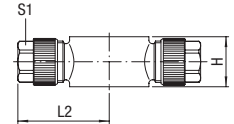
Version M5 to G 1/4



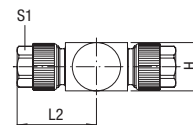
Version G 3/8 to G 1/2



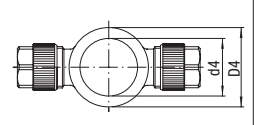
Version M5 to G 1/4



Version G 3/8 to G 1/2



Version M5 to G 1/4



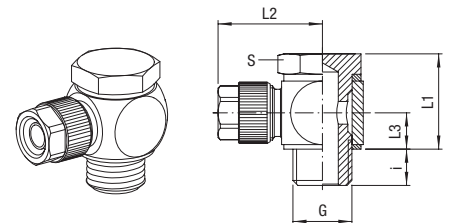
Version G 3/8 to G 1/2

Banjo - Short

Price group	11	PN 25	Seal: A = Alu T _{min} -20 °C, T _{max} +120 °C	Seal: N = polyamide T _{min} -20 °C, T _{max} +90 °C
-------------	-----------	-------	--	---

Nickel-plated brass

for tube D/d	G	i**	L1**	L2*	L3**	S	Weight in [g]	Type	Order number	Price
4.3/3	M 5	4.5	13.5	15.5	5	8	10.4	152M-43/3S-M5N	325014	o. r.
4.3/3	G 1/8	6	20.5	18	8	14	28.6	152M-43/3S-1/8A	325021	o. r.
4.3/3	G 1/8	6	20.5	18	8	14	28.6	152M-43/3S-1/8N	325022	o. r.
5/3	M 5	4.5	13.5	15.5	5	8	9.8	152M-5/3S-M5N	325026	o. r.
5/3	G 1/8	6	20.5	18	8	14	28.1	152M-5/3S-1/8A	325033	o. r.
5/3	G 1/8	6	20.5	18	8	14	28.1	152M-5/3S-1/8N	325034	o. r.
6/4	M 5	4.5	13.5	16.5	5	8	10.4	152M-6/4S-M5N	325038	o. r.
6/4	G 1/8	6	20.5	21	8	14	32.8	152M-6/4S-1/8A	325061	o. r.
6/4	G 1/8	6	20.5	21	8	14	31.8	152M-6/4S-1/8N	325062	o. r.
6/4	G 1/4	8	21	23	8	17	49.2	152M-6/4S-1/4A	325065	o. r.
6/4	G 1/4	8	21	23	8	17	49.2	152M-6/4S-1/4N	325066	o. r.

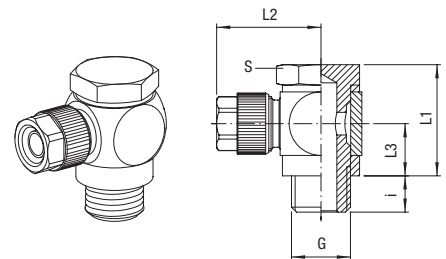
Illustration


* approximate with fastened cap nut ** approximate with fastened fitting

Banjo - Long

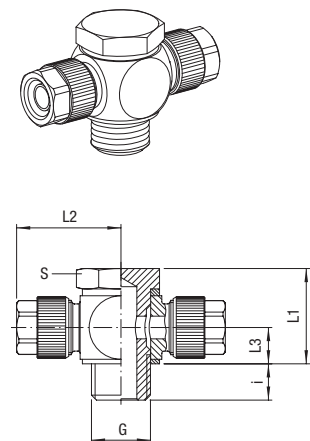
Price group	11	PN 25	Seal: N = polyamide $T_{min} -20\text{ }^{\circ}\text{C}$, $T_{max} +90\text{ }^{\circ}\text{C}$	Cylindrical thread	Nickel-plated brass
-------------	-----------	-------	--	--------------------	---------------------

for tube D/d	G	i**	L1**	L2*	L3**	S	Weight in [g]	Type	Order number	Price
4.3/3	G 1/8	6.5	24	18	12	14	29.4	156M-43/3S-1/8N	326522	o. r.
5/3	G 1/8	6.5	24	18	12	14	29.4	156M-5/3S-1/8N	326534	o. r.
6/4	G 1/8	6.5	24	21	12	14	34.7	156M-6/4S-1/8N	326562	o. r.
6/4	G 1/4	8	24.5	23	12	17	51.8	156M-6/4S-1/4N	326566	o. r.

Illustration

T-Banjo - Short

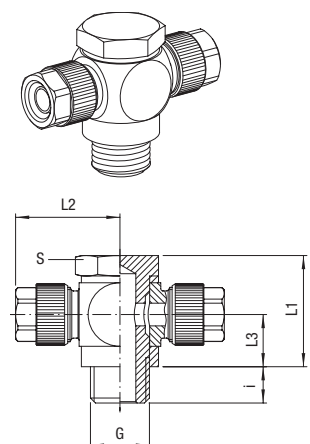
Price group	11	PN 25	Seal: A = Alu $T_{min} -20\text{ }^{\circ}\text{C}$, $T_{max} +120\text{ }^{\circ}\text{C}$	Seal: N = polyamide $T_{min} -20\text{ }^{\circ}\text{C}$, $T_{max} +90\text{ }^{\circ}\text{C}$	Nickel-plated brass
-------------	-----------	-------	---	--	---------------------

for tube D/d	G	i**	L1**	L2*	L3**	S	Weight in [g]	Type	Order number	Price
4.3/3	M 5	4.5	13.5	15.5	5	8	13	153M-43/3S-M5N	328014	o. r.
4.3/3	G 1/8	6	20.5	18	8	14	30.3	153M-43/3S-1/8A	328021	o. r.
4.3/3	G 1/8	6	20.5	18	8	14	30.3	153M-43/3S-1/8N	328022	o. r.
5/3	M 5	4.5	13.5	15.5	5	8	13.2	153M-5/3S-M5N	328026	o. r.
5/3	G 1/8	6	20.5	18	8	14	30.9	153M-5/3S-1/8A	328033	o. r.
5/3	G 1/8	6	20.5	19	8	14	30.9	153M-5/3S-1/8N	328034	o. r.
6/4	M 5	4.5	13.5	16.5	5	8	13.9	153M-6/4S-M5N	328038	o. r.
6/4	G 1/8	6	20.5	21	8	14	40.3	153M-6/4S-1/8A	328061	o. r.
6/4	G 1/8	6	20.5	21	8	14	39.4	153M-6/4S-1/8N	328062	o. r.
6/4	G 1/4	8	21	23	8	17	56	153M-6/4S-1/4A	328065	o. r.
6/4	G 1/4	8	21	23	8	17	55.1	153M-6/4S-1/4N	328066	o. r.

Illustration

T-Banjo - Long

Price group	11	PN 25	Seal: N = polyamide $T_{max} -20\text{ }^{\circ}\text{C}$, $T_{max} +90\text{ }^{\circ}\text{C}$	Cylindrical thread	Nickel-plated brass
-------------	-----------	-------	--	--------------------	---------------------

for tube D/d	G	i***	L1***	L2*	L3***	S	Weight in [g]	Type	Order number	Price
4.3/3	G 1/8	6.5	24	18	12	14	32.3	157M-43/3S-1/8N	329522	o. r.
5/3	G 1/8	6.5	24	18	12	14	32.3	157M-5/3S-1/8N	329534	o. r.
6/4	G 1/8	6.5	24	21	12	14	41.6	157M-6/4S-1/8N	329562	o. r.
6/4	G 1/4	8	24.5	23	12	17	59	157M-6/4S-1/4N	329566	o. r.

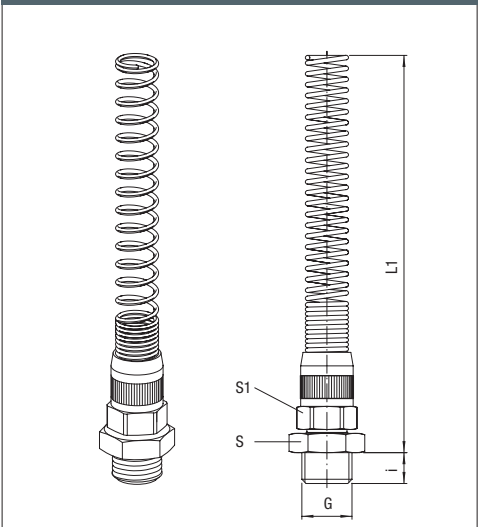
Illustration


* approximate with fastened cap nut ** approximate with fastened fitting

Straight Adaptor - Male with Anti-kink Protection

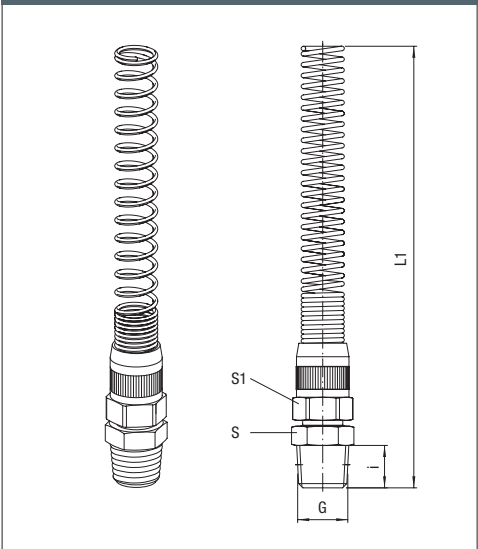
Price group	11	PN 25	T _{mix} -40 °C T _{max} +120 °C	Cylindrical thread	Nickel-plated brass
-------------	-----------	-------	---	--------------------	---------------------

for tube D/d	G	i	L1*	S1	S	Weight in [g]	Type	Order number	Price
6/4	G 1/8	6	102	12	13	27.1	151M-6/4KS-1/8	300364	o. r.
6/4	G 1/4	8	102.5	12	17	34.3	151M-6/4KS-1/4	300365	o. r.
6/4	G 3/8	9	102.5	12	19	38.6	151M-6/4KS-3/8	300366	o. r.
6/4	G 1/2	10	103	12	24**	53.1	151M-6/4KS-1/2	300367	o. r.
8/6	G 1/8	6	103	14	13	31.3	151M-8/6KS-1/8	300370	o. r.
8/6	G 1/4	8	103	14	17	37.2	151M-8/6KS-1/4	300371	o. r.
8/6	G 3/8	9	103.5	14	19	43.5	151M-8/6KS-3/8	300372	o. r.
8/6	G 1/2	10	104	14	24**	58.4	151M-8/6KS-1/2	300373	o. r.
10/8	G 1/8	6	103.5	16	14	39.2	151M-10/8KS-1/8	300379	o. r.
10/8	G 1/4	8	104	16	17	44.7	151M-10/8KS-1/4	300380	o. r.
10/8	G 3/8	9	104	16	19	50.7	151M-10/8KS-3/8	300381	o. r.
10/8	G 1/2	10	104.5	16	24**	65.1	151M-10/8KS-1/2	300382	o. r.
12/9	G 1/4	8	104	19	17	47	151M-12/9KS-1/4	300386	o. r.
12/9	G 3/8	9	104	19	19	56.1	151M-12/9KS-3/8	300387	o. r.
12/10	G 3/8	9	104	19	19	56.8	151M-12/10KS-3/8	300393	o. r.
12/10	G 1/2	10	104.5	19	24**	68	151M-12/10KS-1/2	300394	o. r.

Illustration

Straight Adaptor - Male with Anti-kink Protection

Price group	11	PN 25	T _{mix} -40 °C T _{max} +120 °C	Conical thread	Thread "D" self-sealing T _{max} +100 °C	Nickel-plated brass
-------------	-----------	-------	---	----------------	---	---------------------

for tube D/d	G	i	L1*	S1	S	self-sealing opt. "D"	Weight in [g]	Type	Order number	Price
6/4	R 1/8	7.5	109.5	12	12	-	24.5	151M-6/4KS-1/8K	300664	o. r.
6/4	R 1/8	7.5	109.5	12	12	D	24.5	151M-6/4KS-D1/8K	306664	o. r.
6/4	R 1/4	11	113.5	12	14	-	29.8	151M-6/4KS-1/4K	300665	o. r.
6/4	R 1/4	11	113.5	12	14	D	29.8	151M-6/4KS-D1/4K	306665	o. r.
6/4	R 3/8	11.5	114	12	17	-	36.7	151M-6/4KS-3/8K	300666	o. r.
8/6	R 1/8	7.5	110.5	14	12	-	30.4	151M-8/6KS-1/8K	300670	o. r.
8/6	R 1/8	7.5	110.5	14	12	D	30.4	151M-8/6KS-D1/8K	306670	o. r.
8/6	R 1/4	11	114.5	14	14	-	35.3	151M-8/6KS-1/4K	300671	o. r.
8/6	R 1/4	11	114.5	14	14	D	35.3	151M-8/6KS-D1/4K	306671	o. r.
8/6	R 3/8	11.5	115	14	17	-	41.6	151M-8/6KS-3/8K	300672	o. r.
10/8	R 1/8	7.5	111	16	14	-	38.3	151M-10/8KS-1/8K	300679	o. r.
10/8	R 1/4	11	115	16	14	-	41.3	151M-10/8KS-1/4K	300680	o. r.
10/8	R 1/4	11	115	16	14	D	41.3	151M-10/8KS-D1/4K	306680	o. r.
10/8	R 3/8	11.5	115.5	16	17	-	48.2	151M-10/8KS-3/8K	300681	o. r.
10/8	R 1/2	14	118.5	16	22	-	61	151M-10/8KS-1/2K	300682	o. r.
12/10	R 3/8	11.5	115.5	19	17	-	55.8	151M-12/10KS-3/8K	300693	o. r.
12/10	R 1/2	14	118.5	19	22	-	67.9	151M-12/10KS-1/2K	300694	o. r.

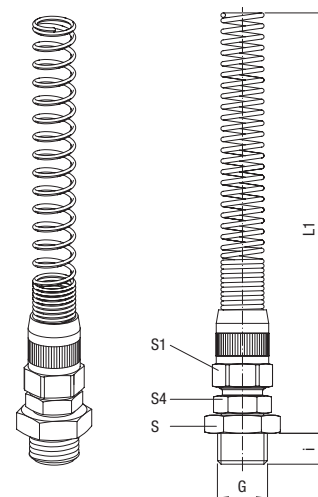
Illustration


* approximate with fastened cap nut ** S24 = octagon *** approximate with fastened fitting

Straight Adaptor - Male - Positionable with Anti-kink Protection

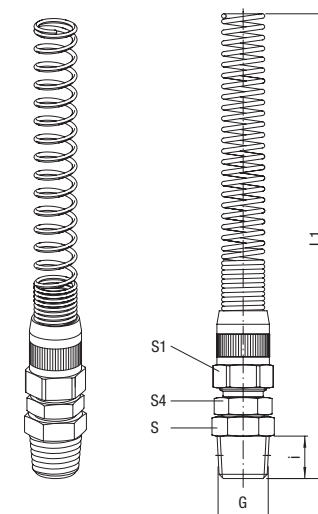
Price group	11	PN 16	T _{min} -20 °C T _{max} +80 °C	Cylindrical thread	Sealing ring: NBR	not suitable for rotating or oscill. movement	Nickel-plated brass
-------------	-----------	-------	--	--------------------	-------------------	---	----------------------------

for tube D/d	G	i	L1*	S1	S4	S	Weight in [g]	Type	Order number	Price
6/4	G 1/8	6	108	12	13	13	31,6	131M-6/4KS-1/8	300464	o. r.
6/4	G 1/4	8	108,5	12	13	17	37,3	131M-6/4KS-1/4	300465	o. r.
8/6	G 1/8	6	109	14	13	13	34,6	131M-8/6KS-1/8	300470	o. r.
8/6	G 1/4	8	109	14	13	17	42,7	131M-8/6KS-1/4	300471	o. r.
10/8	G 1/4	8	110	16	14	17	49,2	131M-10/8KS-1/4	300480	o. r.
12/9	G 3/8	9	110	19	17	19	67,9	131M-12/9KS-3/8	300487	o. r.
12/10	G 3/8	9	110	19	17	19	67,8	131M-12/10KS-3/8	300493	o. r.

Illustration

Straight Adaptor - Male - Positionable with Anti-kink Protection

Price group	11	PN 16	T _{min} -20 °C T _{max} +80 °C	Conical thread	Sealing ring: NBR	Thread "D" self-sealing	not suitable for rotating or oscill. movement	Nickel-plated brass
-------------	-----------	-------	--	----------------	-------------------	-------------------------	---	----------------------------

for tube D/d	G	i	L1*	S1	S4	S	self-sealing opt. "D"	Weight in [g]	Type	Order number	Price
6/4	R 1/8	7.5	115.5	12	13	13	-	28.2	131M-6/4KS-1/8K	300764	o. r.
6/4	R 1/8	7.5	115.5	12	13	13	D	28.2	131M-6/4KS-D1/8K	306764	o. r.
6/4	R 1/4	11	119.5	12	13	14	-	35.9	131M-6/4KS-1/4K	300765	o. r.
6/4	R 1/4	11	119.5	12	13	14	D	35.9	131M-6/4KS-D1/4K	306765	o. r.
8/6	R 1/8	7.5	116.5	14	13	13	-	33.7	131M-8/6KS-1/8K	300770	o. r.
8/6	R 1/8	7.5	116.5	14	13	13	D	33.7	131M-8/6KS-D1/8K	306770	o. r.
8/6	R 1/4	11	120.5	14	13	14	-	41.9	131M-8/6KS-1/4K	300771	o. r.
8/6	R 1/4	11	120.5	14	13	14	D	41.9	131M-8/6KS-D1/4K	306771	o. r.
10/8	R 1/4	11	121	16	14	14	-	48.9	131M-10/8KS-1/4K	300780	o. r.
10/8	R 1/4	11	121	16	14	14	D	48.9	131M-10/8KS-D1/4K	306780	o. r.

Illustration


* approximate with fastened cap nut ** S24 = octagon