

**Filter with Push-in Connector**



**AVS Römer function fittings**, i.e., filters, non-return valves, throttles, quick-release couplings... in combination with the Established **ELSA push-in connectors** by AVS Römer.

**Application**

AVS Römer function fittings are used in a variety of neutral gaseous and liquid media. If the fitting materials are suitable, application with aggressive media is permitted. See also the information on characteristics.

**CHARACTERISTICS**

**BODY MATERIAL / SUITABILITY**

<b>Stainless steel</b> AISI 316L	Corresponds to <b>1.4404 stainless steel</b> . Suitable for many aggressive media, in particular at higher pressures.
<b>Plastic</b> PPSU	<b>Polyphenylsulfone</b> . Suitable for many aggressive media with temperatures up to 140 °C (hot water, steam). Can be used with FDA-compliant FKM sealing rings or FDA-compliant and KTW-approved EPDM sealing rings in the food and pharmaceutical industries. <b>Caution!</b> PPSU should not be used in contact with aromatic hydrocarbons, oxidising acids, acetone, chlorinated hydrocarbons, ethers or ketones! Also, PPSU should not be placed directly in contact with anaerobic adhesives!
<b>Other materials</b>	see relevant products
<b>Approval</b>	NSF/ANSI 169

**TUBE**

<b>Outside diameter [mm]</b>	4 and 6
<b>Perm. tolerance [mm]</b>	±0.1
<b>Permitted grade</b>	Polyamide (PA), polyurethane (PU), fluorine polymer (FEP and PFA)

**OPERATING PRESSURE / TEMPERATURE**

<b>Plastic version</b>	Operating pressure 0 to 16 bar Temperature-dependent	Means that the allowable operating pressure OP is also dependent on the medium temperature within the allowable ambient temperature. Values on request.
<b>Allowable operating pressure and operating temperature of pipe/tube must be observed!</b>		

**Filter with Push-in Connector and Stem**

 Price group **23** PN 16 

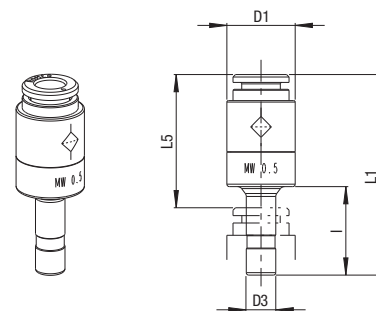
 Amb. temp.  $T_{min}$  0 °C,  $T_{max}$  +60 °C  
 Med.-Temp.  $T_{min}$  0 °C,  $T_{max}$  +140 °C

 Plastic  
PPSU

 Operating pressure 0 to max. 16 bar  
 Temperature-dependent

 Material: Body: PPSU, filter: 1.4301,  
 Seal: EPDM (KTW-approved)

DN	KV value water [m³/h]	for tube D	D3	I	L1	L5	D1	Mesh size MW [mm]	Weight in [g]	Type	Order number	Price
2.5	0.15	4	4	17	40.3	25.5	13.9	0.1	4.5	SMF-947P3-4PF-D4-100	498143	o. r.
2.5	0.15	4	4	17	40.3	25.5	13.9	0.5	4.6	SMF-947P3-4PF-D4-500	498144	o. r.
4	0.45	6	6	18	40.8	25.2	13.9	0.1	4.6	SMF-947P3-6PF-D6-100	498145	o. r.
4	0.5	6	6	18	40.8	25.2	13.9	0.5	4.8	SMF-947P3-6PF-D6-500	498146	o. r.

**Illustration**

**Filter with Push-in Connectors**

 Price group **23** PN 16 

 Amb. temp.  $T_{min}$  0 °C,  $T_{max}$  +60 °C  
 Med.-Temp.  $T_{min}$  0 °C,  $T_{max}$  +140 °C

 Plastic  
PPSU

 Operating pressure 0 to max. 16 bar  
 Temperature-dependent

 Material: Body: PPSU, filter: 1.4301,  
 Seal: EPDM (KTW-approved)

DN	KV value water [m³/h]	for tube D	L6	D1	Mesh size MW [mm]	Weight in [g]	Type	Order number	Price
2.5	0.18	4	37.4	13.9	0.1	7	SMF-958P3-4PF-100	498147	o. r.
2.5	0.18	4	37.5	13.9	0.5	7.1	SMF-958P3-4PF-500	498148	o. r.
4	0.55	6	38.3	13.9	0.1	7.1	SMF-958P3-6PF-100	498149	o. r.
4	0.60	6	38.4	13.9	0.5	7.3	SMF-958P3-6PF-500	498150	o. r.

**Illustration**
